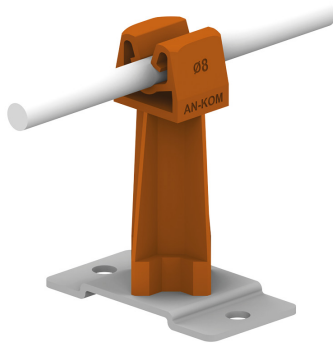


HOLDERS WIRE screw-on

C192144

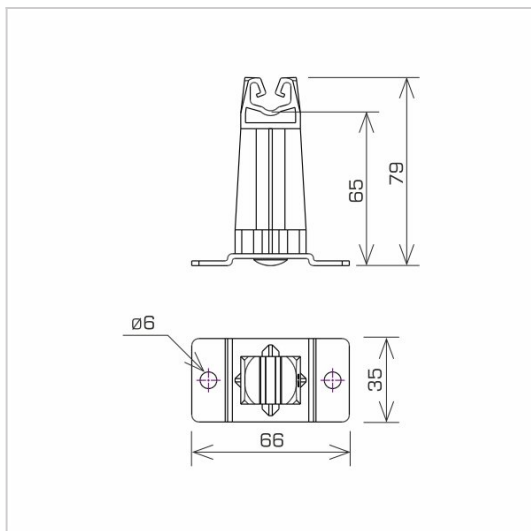


MATERIAL:

hot galvanised steel

DESCRIPTION:

Screwed holder for routing the lightning conductor on the facade, wooden structures.



symbol type	C192144 AN-11U/OG/
pole colour	RAL 8004
conductor(mm)	Ø8
material	hot galvanised steel



AN-KOM 2 Sp. z o.o.
Inwałd, ul. ks. Władysława
Bukowińskiego 15
34-120 Andrychów



an-kom.pl
sales@an-kom.pl



tel./fax
+48 605 527 132