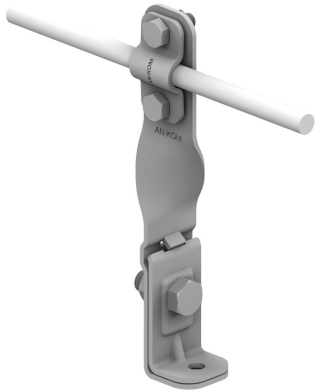


HOLDERS FOR SHEET, FELT, SHINGLE twisted edge wire holder

C192056

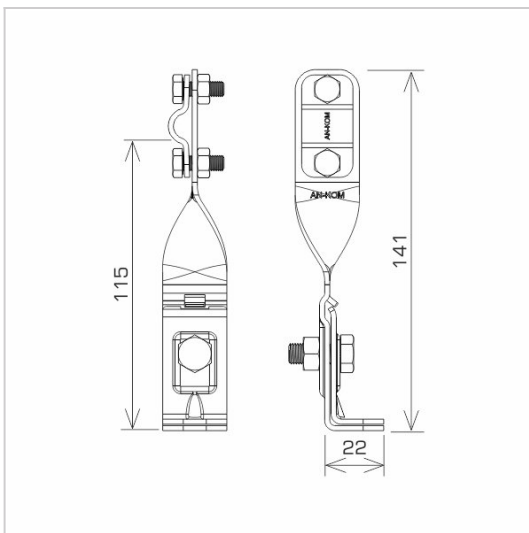


MATERIAL:

hot galvanised steel

DESCRIPTION:

For routing lightning conductors along the edge of the sheet.



symbol type	C192056 AN-08B/OG/
conductor(mm)	Ø8
material	hot galvanised steel



AN-KOM 2 Sp. z o.o.
Inwałd, ul. ks. Władysława
Bukowińskiego 15
34-120 Andrychów



an-kom.pl
sales@an-kom.pl



tel./fax
+48 605 527 132