

HOLDERS FOR SHEET, FELT, SHINGLE universal seam wire holder

C192032

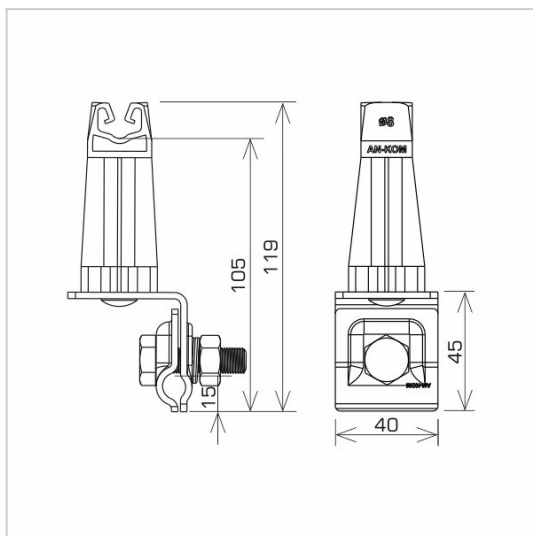


WERSJA MATERIAŁOWA:

hot galvanised steel

OPIS:

Installation of wires on roofs covered with sheet metal along the seam.



| | |
|---------------------------|-------------------------------|
| symbol typ | C192032 AN-06H/OG/S |
| pole colour | RAL 7047 |
| conductor(mm) | Ø8 |
| wersja materiałowa | hot galvanised steel |



AN-KOM 2 Sp. z o.o.
 Inwałd, ul. ks. Władysława
 Bukowińskiego 15
 34-120 Andrychów



an-kom.pl
 sales@an-kom.pl



tel./fax
 +48 605 527 132