

HOLDERS FOR SHEET, FELT, SHINGLE seam wire holder

C192020

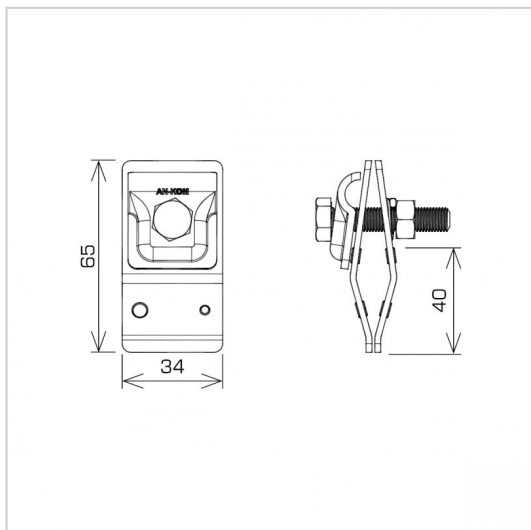


MATERIAL:

hot galvanised steel

DESCRIPTION:

Installation of wires on roofs covered with sheet metal along the seam.



symbol type	C192020 AN-06G/OG/
conductor(mm)	Ø8
material	hot galvanised steel



AN-KOM 2 Sp. z o.o.
Inwałd, ul. ks. Władysława
Bukowińskiego 15
34-120 Andrychów



an-kom.pl
sales@an-kom.pl



tel./fax
+48 605 527 132