

**HOLDERS Covered concrete with rotary bottom**

**B931508**



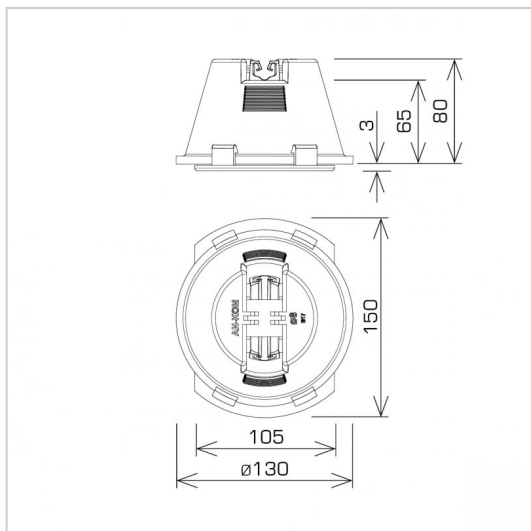
**WERSJA MATERIAŁOWA:**

plastic/concrete

**OPIS:**

Concrete holder in plastic with a rotating base is used to build an air terminal grid on flat roofs. After attaching the stand and inserting the holder into it, it is possible to rotate the handle in any direction. Made of polypropylene - PP (frost resistant) with additives protecting against UV radiation. The holder is filled with a frost-resistant cement mortar.

**PURPOSE:** flat roofs covered with membrane, roofing felt and sheet metal



<b>symbol</b>	<b>B931508</b>
typ	AN-11F
<b>conductor(mm)</b>	Ø8
<b>weight(kg)</b>	~ 1
<b>wersja materiałowa</b>	plastic/concrete



AN-KOM 2 Sp. z o.o.  
Inwałd, ul. ks. Władysława  
Bukowińskiego 15  
34-120 Andrychów



an-kom.pl  
sales@an-kom.pl



tel./fax  
+48 605 527 132