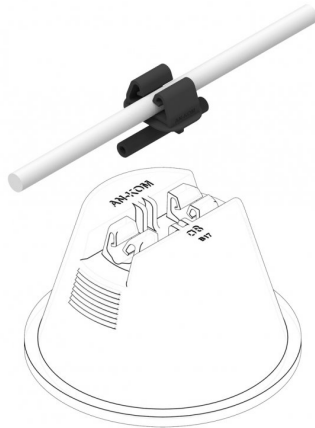


HOLDERS Covered concrete round wire Ø8 x Ø10 adapter

B641540

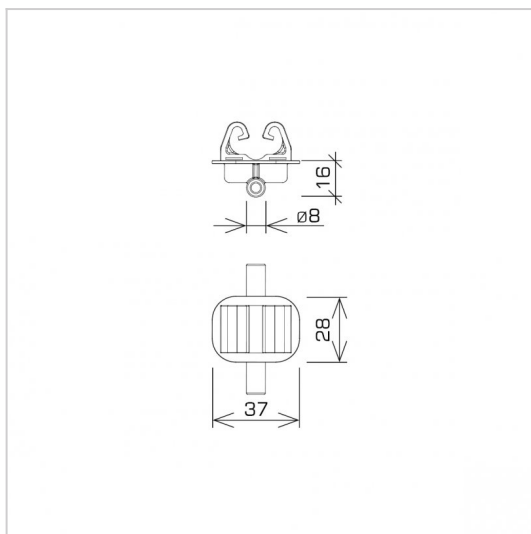


MATERIAL:

plastic

DESCRIPTION:

Adapter for conductor in combination with concrete holder from the AN-KOM offer is used to run a circular conductor Ø10.



symbol	B641540
type	AN-12A
conductor(mm)	Ø10
holders	B931504 B931516 B931588
material	plastic



AN-KOM 2 Sp. z o.o.
Inwałd, ul. ks. Władysława
Bukowińskiego 15
34-120 Andrychów



an-kom.pl
sales@an-kom.pl



tel./fax
+48 605 527 132