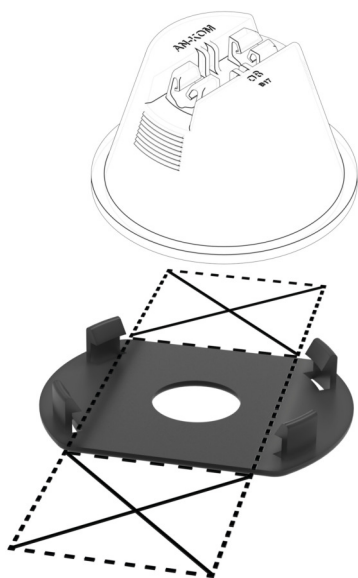


HOLDERS Covered concrete rotary bottom

B641536



WERSJA MATERIAŁOWA:

plastic

OPIS:

!!! ATTENTION!!!

The holder is made of PP (polypropylene), which is not suitable for gluing.

The plastic bottom is used to attach the plastic concrete holders listed in the table „to the brackets”. Made of polypropylene - PP (frost resistant) with additives protecting against UV radiation.

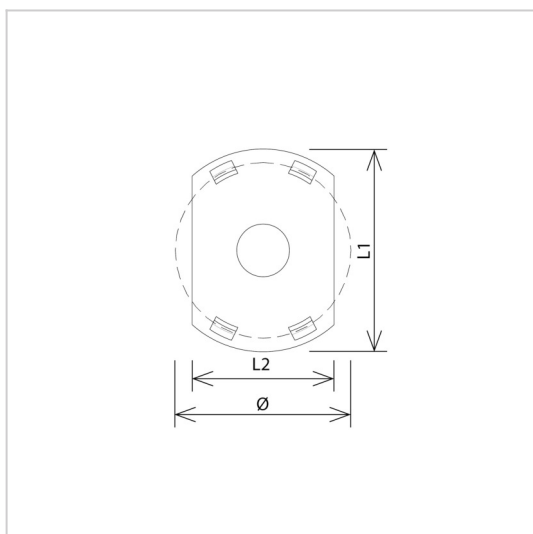
BOTTOM ASSEMBLY:

ROOFING FELT, MEMBRANE

- strap welding

(100mm x 300mm)

covering material



symbol typ	B641536 AN-11Z
holders	B931504, B931516 B931588, B931524 B931528, B931548 B931552, B931520
wersja materiałowa	plastic



AN-KOM 2 Sp. z o.o.
Inwałd, ul. ks. Władysława
Bukowińskiego 15
34-120 Andrychów



an-kom.pl
sales@an-kom.pl



tel./fax
+48 605 527 132