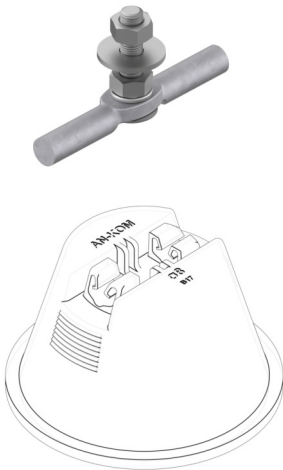


HOLDERS Covered concrete assembly conductor bed adapter

B191592

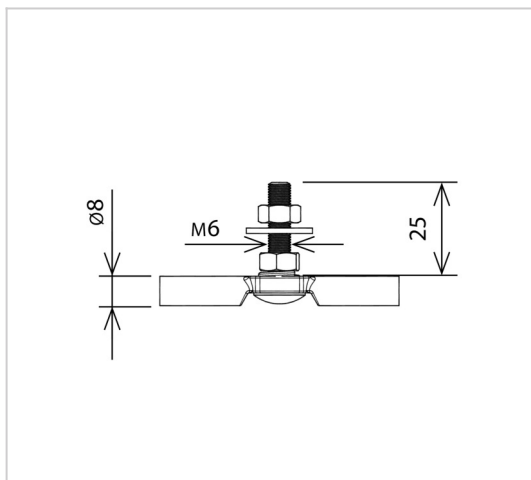


WERSJA MATERIAŁOWA:

hot galvanised steel

OPIS:

Adapter for mounting cable beds. In combination with a concrete holder, e.g. B931516, B931504 or B931588, it creates a ready product for mounting conductor beds on flat roofs of industrial facilities.



symbol typ	B191592 AN-12LL/OG/-N
holders	B931516, B931504 B931508, B931588
wersja materiałowa	hot galvanised steel



AN-KOM 2 Sp. z o.o.
Inwałd, ul. ks. Władysława
Bukowińskiego 15
34-120 Andrychów



an-kom.pl
sales@an-kom.pl



tel./fax
+48 605 527 132