

**CLAMPS PARALLEL 1 screw sleeve clamps**

**A371012**

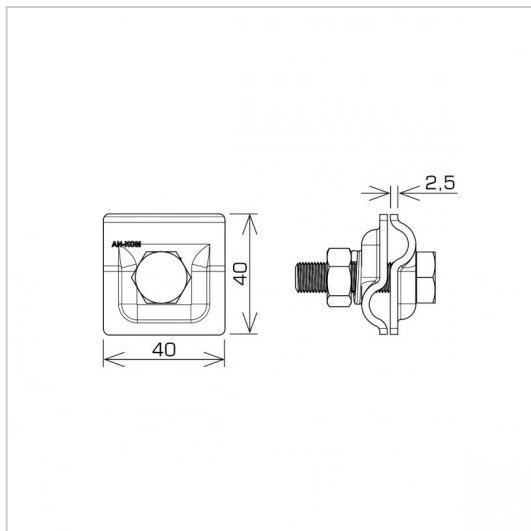


**MATERIAL:**

copper

**DESCRIPTION:**

Connection of round wires in parallel configuration.



|                                 |                              |
|---------------------------------|------------------------------|
| <b>symbol</b><br>type           | <b>A371012</b><br>AN-01B/CU/ |
| <b>screws</b>                   | M10 x 40                     |
| <b>conductor dimensions</b>     | Ø8 / Ø8                      |
| <b>material</b>                 | copper                       |
| <b>current resistance class</b> | H=100 kA                     |



AN-KOM 2 Sp. z o.o.  
 Inwałd, ul. ks. Władysława  
 Bukowińskiego 15  
 34-120 Andrychów



an-kom.pl  
 sales@an-kom.pl



tel./fax  
 +48 605 527 132