

CLAMPS PARALLEL 2 screws sleeve clamps

A281004

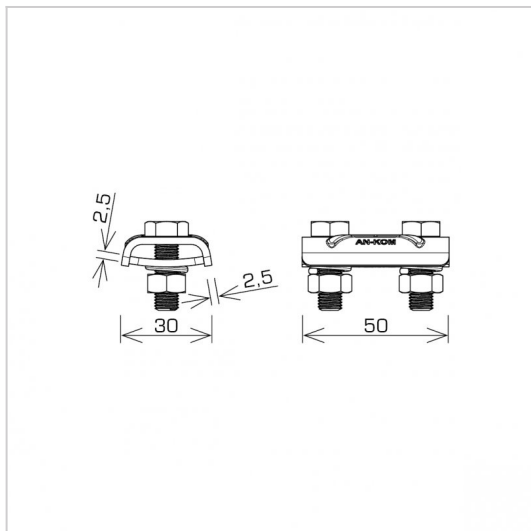


MATERIAL:

stainless acid-resistant V4A steel

DESCRIPTION:

Connection of round wires in parallel configuration.



symbol type	A281004 AN-01/OH/
screws	M8 x 25
conductor dimensions	Ø8 / Ø8
material	stainless acid-resistant V4A steel
current resistance class	H=100 kA



AN-KOM 2 Sp. z o.o.
Inwałd, ul. ks. Władysława
Bukowińskiego 15
34-120 Andrychów



an-kom.pl
sales@an-kom.pl



tel./fax
+48 605 527 132