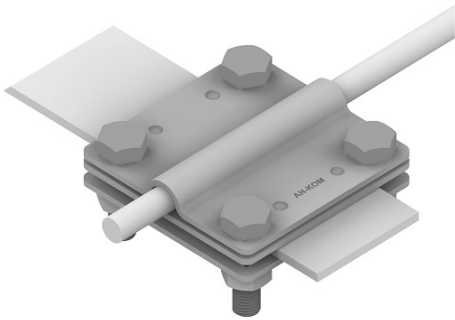


CLAMPS CROSS 3 plates cross clamps

A191068

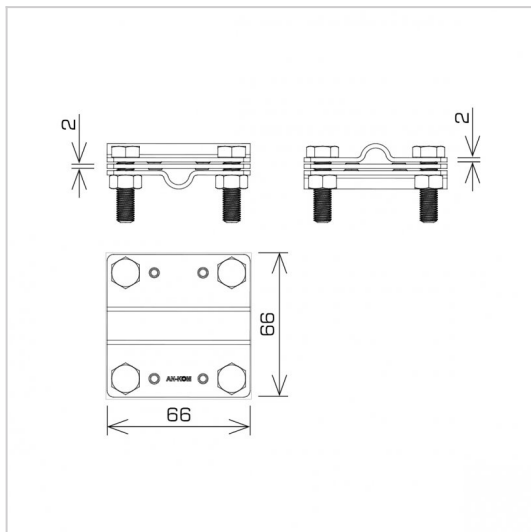


MATERIAL:

hot galvanised steel

DESCRIPTION:

Connection of round conductors in a cross, parallel and T-shaped configuration.



symbol type	A191068 AN-05/OG/
screws	M8 x 30
conductors dimensions	Ø8 / B* to 30 *B - tape conductor maximum width
material	hot galvanised steel
current resistance class	H=100 kA



AN-KOM 2 Sp. z o.o.
Inwałd, ul. ks. Władysława
Bukowińskiego 15
34-120 Andrychów



an-kom.pl
sales@an-kom.pl



tel./fax
+48 605 527 132