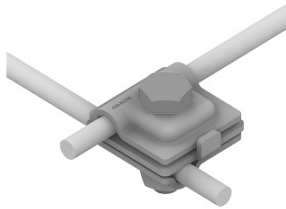


CLAMPS PARALLEL 1 screw sleeve clamps

A191028

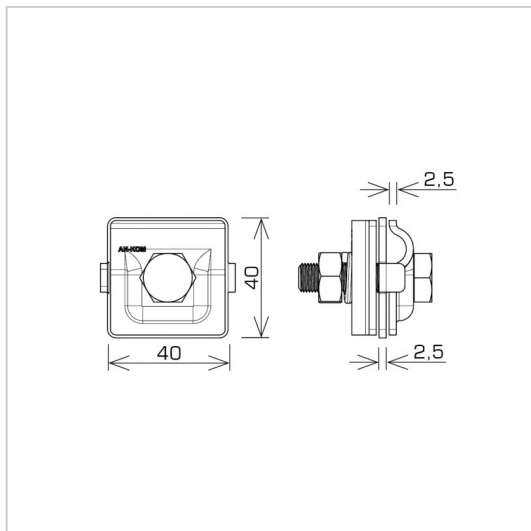


MATERIAL:

hot galvanised steel

DESCRIPTION:

Connection of round wires in parallel and cross configuration.



symbol type	A191028 AN-02B/OG/
screws	M10 x 40
conductor dimensions	Ø8 / Ø8
material	hot galvanised steel
current resistance class	H=100 kA



AN-KOM 2 Sp. z o.o.
 Inwałd, ul. ks. Władysława
 Bukowińskiego 15
 34-120 Andrychów



an-kom.pl
 sales@an-kom.pl



tel./fax
 +48 605 527 132