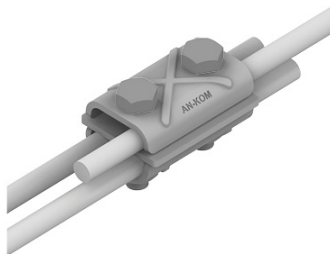


CLAMPS PARALLEL 2 screws sleeve clamps

A191024

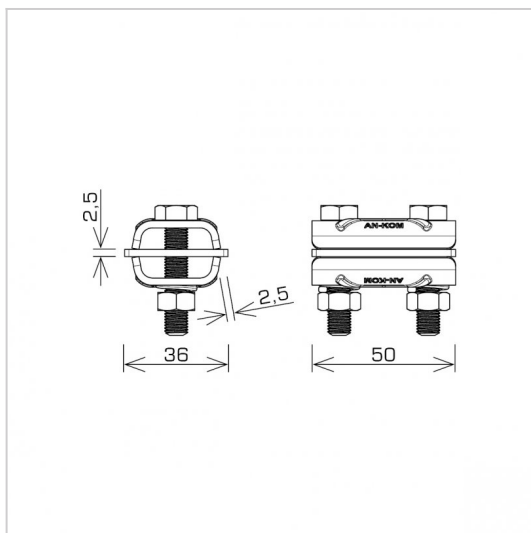


**MATERIAL:**

hot galvanised steel

**DESCRIPTION:**

Connection of round wires in parallel configuration.



<b>symbol</b> type	<b>A191024</b> AN-02A/OG/
<b>screws</b>	M8 x 35
<b>conductor dimensions</b>	Ø8 / Ø8
<b>material</b>	hot galvanised steel
<b>current resistance class</b>	H=100 kA



AN-KOM 2 Sp. z o.o.  
Inwałd, ul. ks. Władysława  
Bukowińskiego 15  
34-120 Andrychów



an-kom.pl  
sales@an-kom.pl



tel./fax  
+48 605 527 132